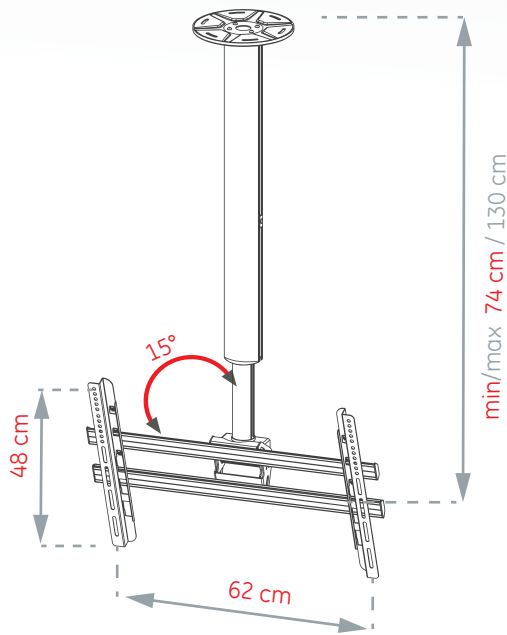


TM-8040

Motional Ceiling TV Bracket



Features

- ★ High quality aluminum arm, galvanized steel bracket with electrostatic powder painted
- ★ Max. Load : 50 kg
- ★ Screen size (min.-max.) : 42"-65"
- ★ VESA standards : 100x100, 200x100, 200x200, 300x300, 400x200, 400x400, 600x400
- ★ Tilt : 15 °
- ★ Pan : 360 °
- ★ Min/Max Distance from the ceiling : 74 cm / 130 cm
- ★ Free level height adjustability.

Logistic information

- ★ Retail packing sizes : 80,50 x 25,50 x 15,50 (l x w x h cm)
- ★ Max. Weight of retail carton : 6,65 kg
- ★ EAN-13 code : 8699924915136

NOTE ! Screws or fittings to fix the bracket to the wall/ceiling are ones suitable for the concrete wall . Always choose screws and fittings that are specially suited to the material in your wall/ceiling and have sufficient holding power . If you are uncertain, contact your local specialised retailer

